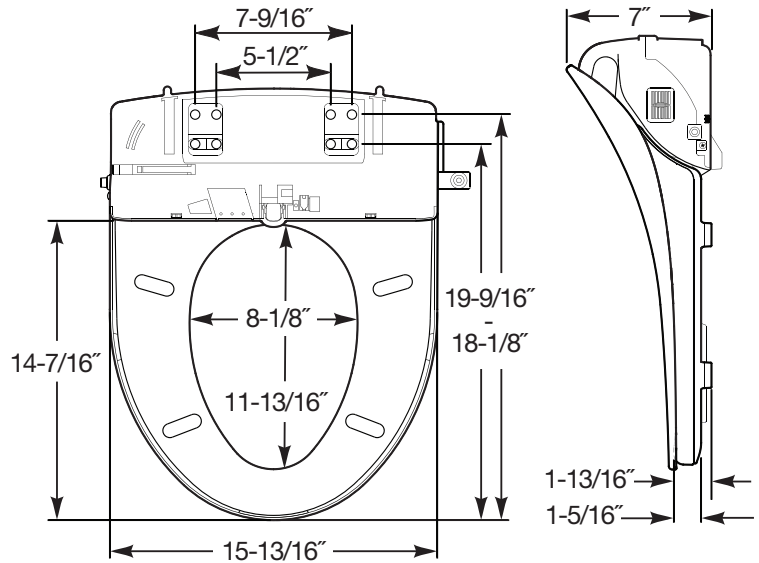




# RENEW PLUS™ B1780NL

RESIDENTIAL PLASTIC TOILET SEAT



## FEATURES:

- Adjustable Aerated Washes
- Continuous Heated Water
- Multi-Setting Warm Air Dryer
- 3-in-1 Stainless Steel Nozzle
- Pulsate & Oscillate Wash Functions
- Automatic Deodorizer
- Multi-Setting Heated Seat
- iLumaLight®
- Intuitive Touch Remote Control with Custom User Presets
- Eco Mode
- Easy•Clean & Change®
- Whisper•Close®
- Precision Seat Fit™
- Super Grip Bumpers™

## SPECIFICATIONS:

- Size:** Elongated
- Material:** Plastic
- Style:** Closed Front with Cover
- Ring Bumpers:** Four
- Hinges:** Plastic
- Hardware:** Seat Bracket & Adjustable Hardware
- Power Rating:** AC 120V, 60Hz, 1270W, 10.58 amps
- Power Cord Length:** 70.8"
- Bidet Water Hose Length:** 24"
- Power Requirement:** GFCI Outlet
- Remote Dimensions:** 2<sup>3</sup>/<sub>8</sub>" x 6<sup>3</sup>/<sub>8</sub>" x 3<sup>4</sup>/<sub>4</sub>"

**Codes & Standards:**  Complies with IAPMO/ANSI Z124.5 Standards Residential Classification 

# RENEW PLUS™ B1780NL

RESIDENTIAL PLASTIC TOILET SEAT

## **ADDITIONAL SPECIFICATIONS:**

**Water Feed Method:** Directly Connected to Water Pipe

**Recommended Water Pressure Supply:** 9.956 ~ 106.675 psi

## **WASH FEATURE:**

**Feed Volume for Front, Rear, & Intense Washes:** .185 gpm

**Water Pressure Control:** 5-level Control

**Temperature Control:** Room Temp. ~ 100°F

**Water Heater Capacity:** 1200W

**Safety Device:** Temp. Fuse, Thermo Switch

## **HEATED SEAT FEATURE:**

**Temperature Control:** Room Temp. ~ 108°F

**Seat Heater Capacity:** 55W

**Safety Device:** Temp. Fuse

## **DRY FEATURE:**

**Temperature Control:** Room Temp. ~ 122°F

**Heater Capacity:** 250W

**Safety Device:** Temp. Fuse, Bi-metal (overheating prevention)

**Deodorization:** Catalytic Deodorization