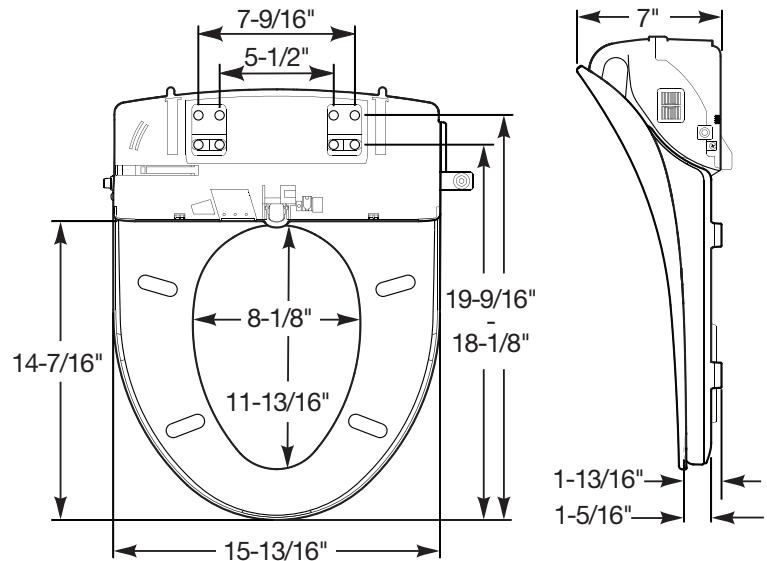




RENEW™ B1940

RESIDENTIAL PLASTIC TOILET SEAT



FEATURES:

- Adjustable Aerated Washes
- Continuous Heated Water
- 3-in-1 Stainless Steel Nozzle
- Pulsate Wash Function
- Multi-Setting Heated Seat
- Intuitive Touch Remote Control with Custom User Presets
- Eco Mode
- Easy•Clean & Change®
- Whisper•Close®
- Precision Seat Fit™
- Super Grip Bumpers™

SPECIFICATIONS:

Size	Elongated
Material	Plastic
Style	Closed Front with Cover
Bumpers	Four
Hinges	Plastic
Fastening System	Seat Bracket & Adjustable Hardware
Power Rating	AC 120V, 60Hz, 1270W, 10.58 amps
Power Cord Length	70.8"
Power Requirement	GFCI Outlet
Remote Dimensions	2 3/8" x 6 3/8" x 3/4"

Codes & Standards


 Complies with
 IAPMO/ANSI Z124.5
 Standards
 Residential Classification





RENEW™ B1940

RESIDENTIAL PLASTIC TOILET SEAT

ADDITIONAL SPECIFICATIONS:

Water Feed Method Directly Connected to Water Pipe

Recommended Water
Pressure Supply 9.956 ~ 106.675 psi

Wash Feature

Feed Volume for Front,
Rear, & Intense Washes .185 gpm

Water Pressure Control 5-level Control

Temperature Control Room Temp. ~ 100°F

Heater Capacity 1200W

Safety Device Temp. Fuse, Thermo Switch

Heated Seat Feature

Temperature Control Room Temp. ~ 108°F

Heat Capacity 55W

Safety Device Temp. Fuse