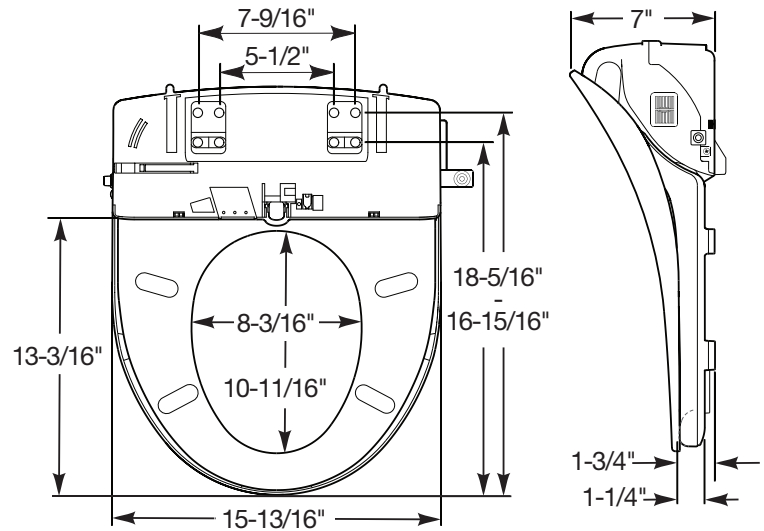




RENEW PLUS™ B980NL

RESIDENTIAL PLASTIC TOILET SEAT



FEATURES:

- Adjustable Aerated Washes
- Continuous Heated Water
- Multi-Setting Warm Air Dryer
- 3-in-1 Stainless Steel Nozzle
- Pulsate & Oscillate Wash Functions
- Automatic Deodorizer
- Multi-Setting Heated Seat
- Red LED Night Light
- Intuitive Touch Remote Control with Custom User Presets
- Eco Mode
- Easy•Clean & Change®
- Whisper•Close®
- Precision Seat Fit™
- Super Grip Bumpers™

SPECIFICATIONS:

Size	Round
Material	Plastic
Style	Closed Front with Cover
Bumpers	Four
Hinges	Plastic
Fastening System	Seat Bracket & Adjustable Hardware
Power Rating	AC 120V, 60Hz, 1270W, 10.58 amps
Power Cord Length	70.8"
Power Requirement	GFCI Outlet
Remote Dimensions	2 ³ / ₈ " x 6 ³ / ₈ " x 3 ¹ / ₄ "

Codes & Standards

 Complies with IAPMO/ANSI Z124.5 Standards Residential Classification





RENEW PLUS™ B980NL

RESIDENTIAL PLASTIC TOILET SEAT

ADDITIONAL SPECIFICATIONS:

Water Feed Method Directly Connected to Water Pipe

Recommended Water Pressure Supply 9.956 ~ 106.675 psi

Wash Feature

Feed Volume for Front, Rear, & Intense Washes .185 gpm

Water Pressure Control 5-level Control

Temperature Control Room Temp. ~ 100°F

Heater Capacity 1200W

Safety Device Temp. Fuse, Thermo Switch

Heated Seat Feature

Temperature Control Room Temp. ~ 108°F

Heat Capacity 55W

Safety Device Temp. Fuse

Dry Feature

Temperature Control Room Temp. ~ 122°F

Heater Capacity 250W

Safety Device Temp. Fuse, Bi-metal (overheating prevention)

Deodorization Catalytic Deodorization