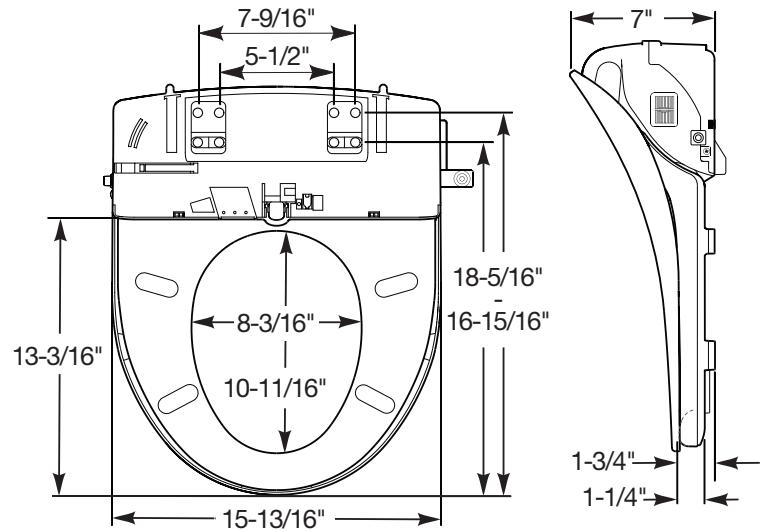




RENEW™ B940

RESIDENTIAL PLASTIC TOILET SEAT



FEATURES:

- Adjustable Aerated Washes
- Continuous Heated Water
- 3-in-1 Stainless Steel Nozzle
- Pulsate Wash Function
- Multi-Setting Heated Seat
- Intuitive Touch Remote Control with Custom User Presets
- Eco Mode
- Easy•Clean & Change®
- Whisper•Close®
- Precision Seat Fit™
- Super Grip Bumpers™

SPECIFICATIONS:

| | |
|-------------------|------------------------------------|
| Size | Round |
| Material | Plastic |
| Style | Closed Front with Cover |
| Bumpers | Four |
| Hinges | Plastic |
| Fastening System | Seat Bracket & Adjustable Hardware |
| Power Rating | AC 120V, 60Hz, 1270W, 10.58 amps |
| Power Cord Length | 70.8" |
| Power Requirement | GFCI Outlet |
| Remote Dimensions | 2 3/8" x 6 3/8" x 3/4" |

Codes & Standards

 Complies with IAPMO/ANSI Z124.5 Standards Residential Classification





ADDITIONAL SPECIFICATIONS:

Water Feed Method **Directly Connected to Water Pipe**

Recommended Water Pressure Supply **9.956 ~ 106.675 psi**

Wash Feature

Feed Volume for Front, Rear, & Intense Washes **.185 gpm**

Water Pressure Control **5-level Control**

Temperature Control **Room Temp. ~ 100°F**

Heater Capacity **1200W**

Safety Device **Temp. Fuse, Thermo Switch**

Heated Seat Feature

Temperature Control **Room Temp. ~ 108°F**

Heat Capacity **55W**

Safety Device **Temp. Fuse**